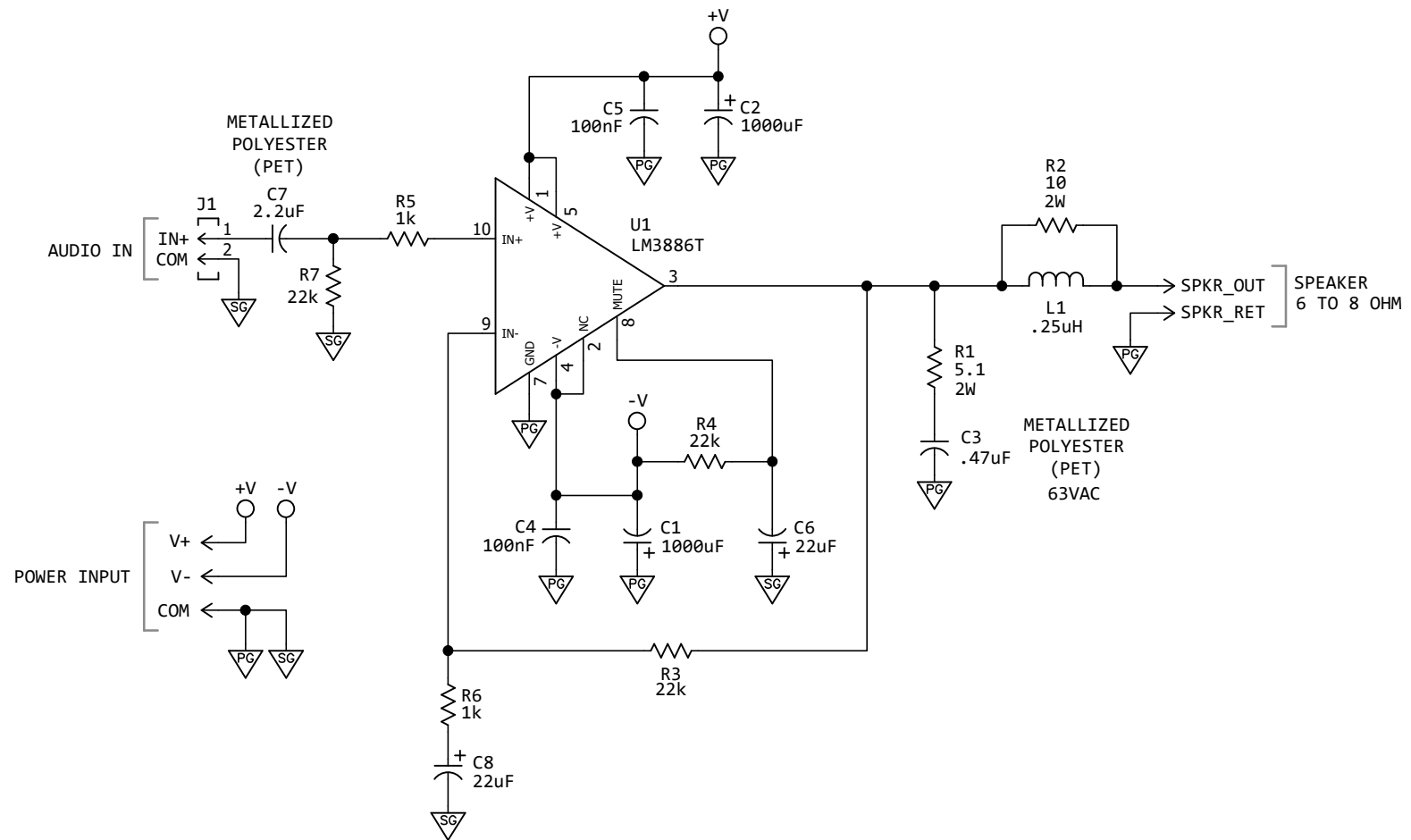


2

1



L1 IS AIR CORE, 18 AWG ENAMELED WIRE, 12.7MM DIAMETER, 6 TURNS.

SIGNAL COMMON IS KEPT SEPARATE FROM POWER COMMON AND IS CONNECTED TO POWER COMMON AT THE POWER INPUT COMMON TERMINAL ONLY.

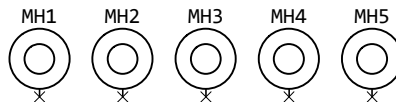
UNLESS OTHERWISE SPECIFIED:

ALL RESISTORS ARE 1/4W, 1%, METAL FILM

ALL NON-POLARIZED CAPACITORS ARE MLCC, X7R, 50V

ALL POLARIZED CAPACITORS ARE ELECTROLYTIC, 50V

#### PCB MOUNTING HOLES



 = POWER COMMON

 = SIGNAL COMMON

crosstimbers audio

SCHMATIC,  
AUDIO AMPLIFIER, LM3886

BY	DATE	SIZE A	1000939	REV. A
SH	JUL 3, 2016	SCALE: NONE		SHT 1 OF 1

2

1