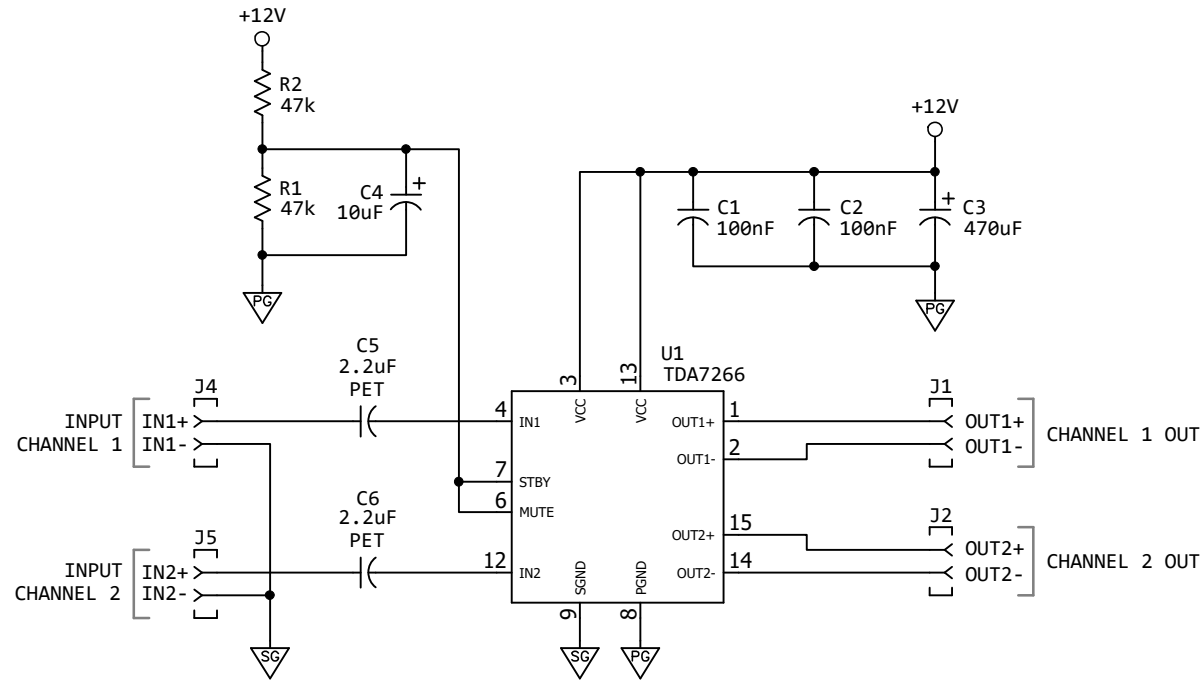
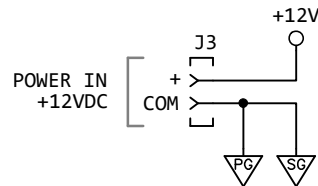


2

1



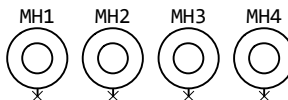
U1 MUST BE INSTALLED ON A HEATSINK



- = POWER COMMON
- = SIGNAL COMMON

UNLESS OTHERWISE SPECIFIED:
 ALL RESISTORS ARE 1/4W, 1%, METAL FILM.
 ALL POLARIZED CAPACITORS ARE ELECTROLYTIC, 25V MINIMUM.
 ALL NON-POLARIZED CAPACITORS ARE CERAMIC, X7R, 50V.

MOUNTING HOLES



crosstimbers audio

SCHEMATIC,
STEREO AUDIO AMPLIFIER, TDA7266

COPYRIGHT ©2016

BY	DATE	SIZE A	1000574	REV. A
SH	15 JUN 2016	SCALE: NONE		SHT 1 OF 1

2

1

B

B

A

A