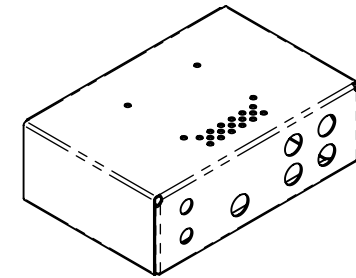
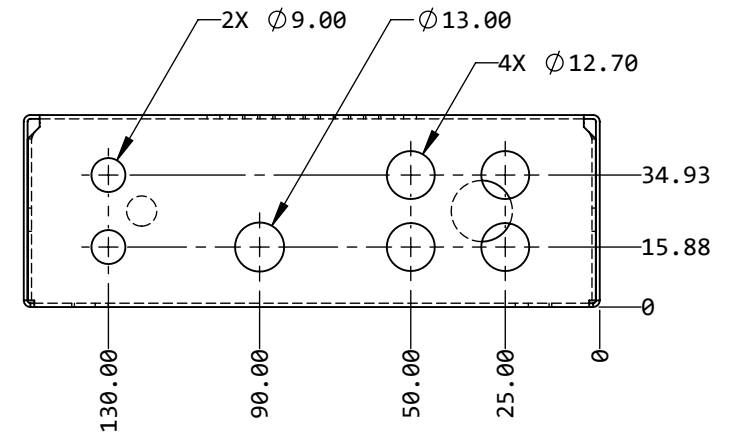
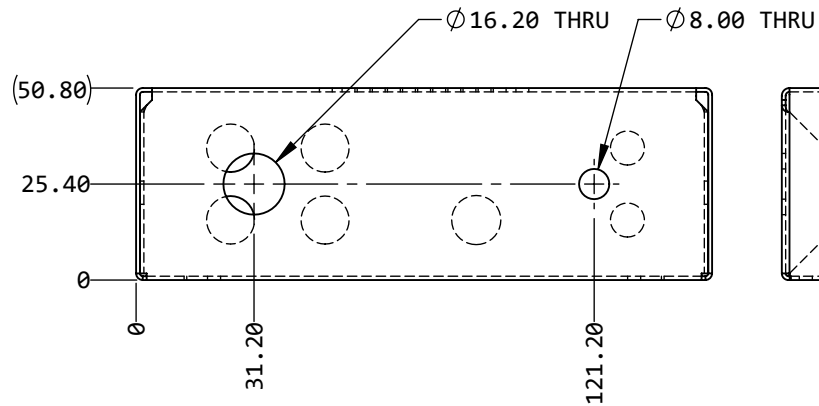


FRONT VIEW



REAR VIEW



NOTES:

- PART IS MADE FROM BUD INDUSTRIES ALUMINUM CHASSIS AC-431.
- FULL SIZE (1:1) TEMPLATES APPEAR ON SHEETS 2 AND 3 OF THIS DOCUMENT.

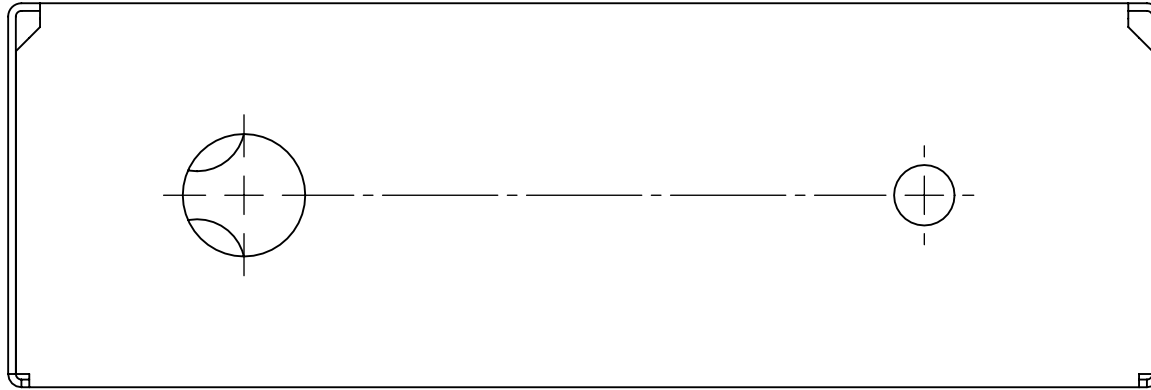
COPYRIGHT © 2016

| TOLERANCES | THIRD ANGLE PROJECTION | BY | DATE |
|--------------|------------------------|---|-------------|
| .XX ± .13 | | SH | 21 JUN 2016 |
| .X ± .25 | | ALL DIMENSIONS ARE IN MILLIMETERS DO NOT SCALE DRAWING | |
| ANGLES ± .5° | | | |

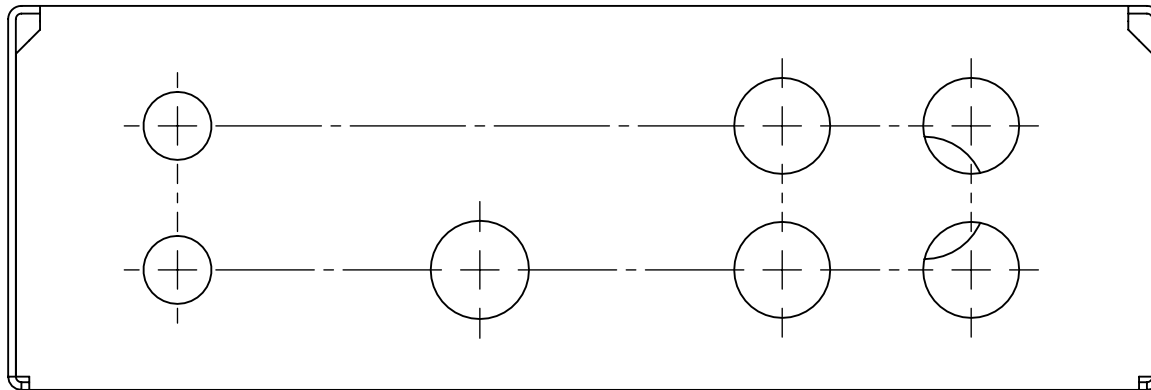
crosstimbers audio

CHASSIS, SA1 AMPLIFIER

| SIZE | DWG. NO. | REV |
|------------|--------------|-----|
| A | 1000974 | P1 |
| SCALE: 1:2 | SHEET 1 OF 3 | |

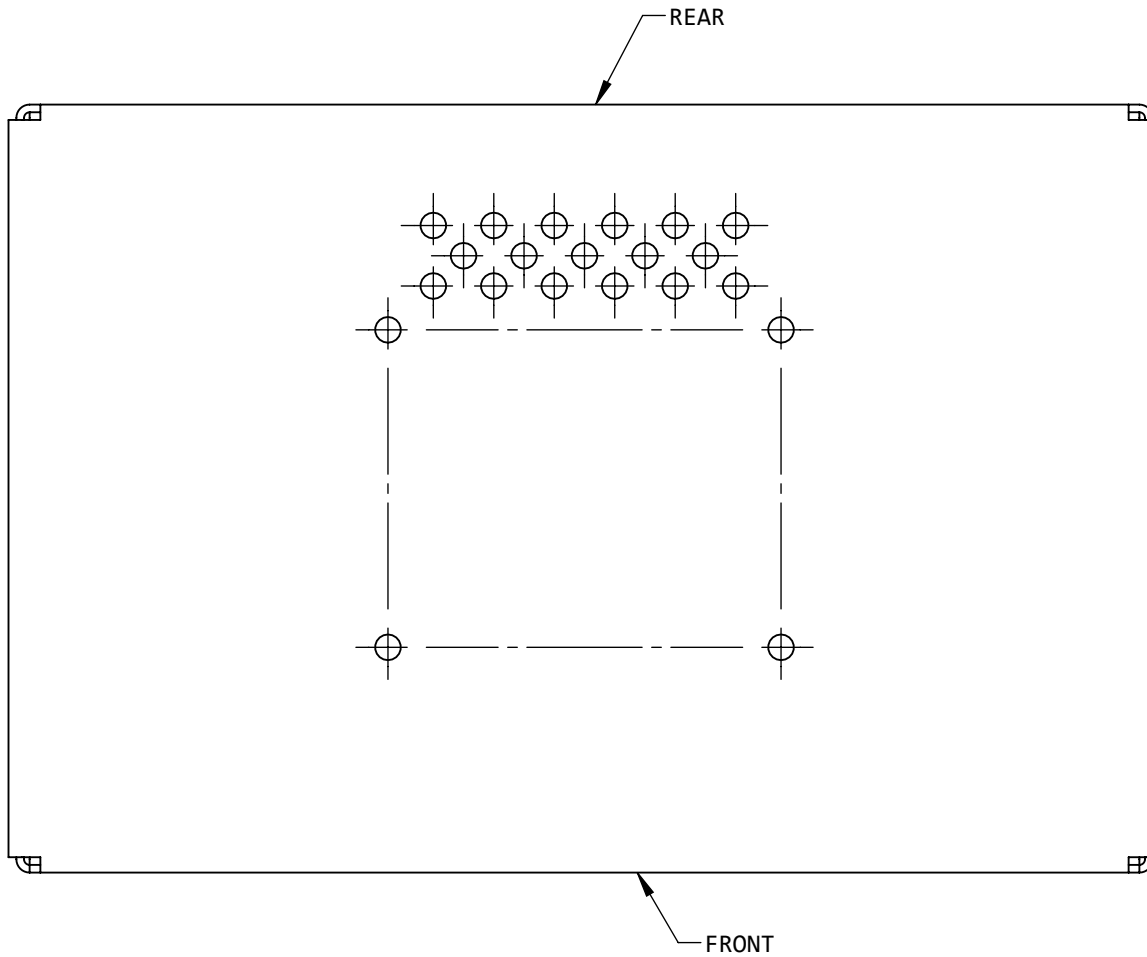


FRONT VIEW



REAR VIEW

| | | |
|---------------------------|----------|--------------|
| crosstimbers audio | | |
| SIZE | DWG. NO. | |
| A | 1000974 | |
| SCALE: 1:1 | | SHEET 2 OF 3 |



TOP VIEW

| | | |
|---------------------------|---------------------|--------------|
| crosstimbers audio | | |
| SIZE A | DWG. NO. 1000974 | |
| SCALE: 1:1 | | SHEET 3 OF 3 |